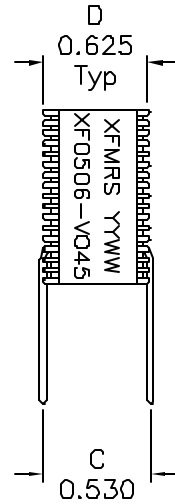
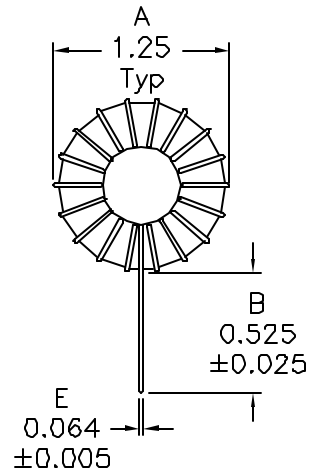
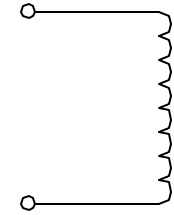


## 1. Mechanical Dimensions:



## 2. Schematic:



## 3. Electrical Specifications:

Inductance: 50uH±15% @1KHz 0.1V, 0Adc

Inductance: 25uH±15% @1KHz 0.1V, 9.5Adc

DCR: 0.012 Ohms Max

Q: 1 Min @1KHz 0.1V

### Notes:

1. Solderability: Leads shall meet MIL-STD-202G, Method 208H for solderability.
2. Flammability: UL94V-0
3. ASTM oxygen Index: > 28%
4. Insulation System: Class F 155°C, UL file E151556
5. Operating Temperature Range: All listed parameters are to be within tolerance from -55°C to +105°C
6. Storage Temperature Range: -55°C to +125°C
7. Aqueous wash compatible
8. Electrical and mechanical specifications 100% tested
9. RoHS Compliant Component

DOC REV: A/1

**PROPRIETARY** Document is the property of XFMRs Group & is not allowed to be duplicated without authorization.

XFMRs Inc. www.XFMRs.com	Title: High Current Toroid Inductor		
	P/N: XFD506-VO45		REV. A
UNLESS OTHERWISE SPECIFIED TOLERANCES: .xxx ±0.010 Dimensions in Inch	DWN.	Xianyi	Jul-31-09
	CHK.	YK Liao	Jul-31-09
SHEET 1 OF 1	APP.	Joe Huff	Jul-31-09